



TECHNICAL DATA FOR:-

CONTACTORS

Models:- CON-32, CON-50 & CON-80

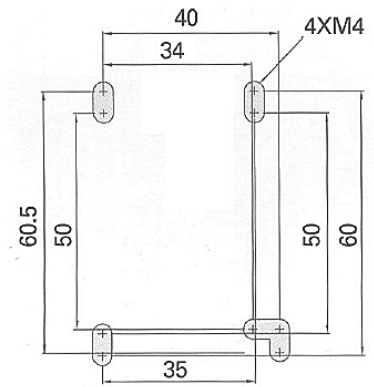
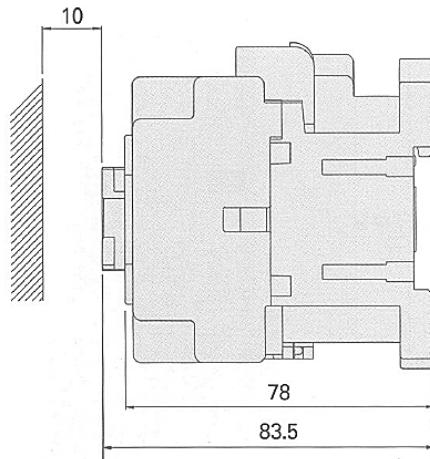
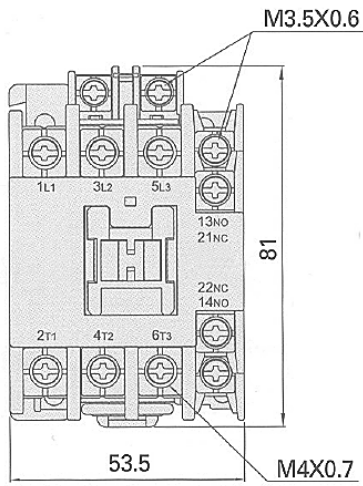
BN Thermic contactors provide a complete solution for your contactor requirements. The range carries TUV, UL & CSA certification, for use in Europe, North America and Canada.

AC1 – Resistive Loads e.g. Heating and tungsten Lighting

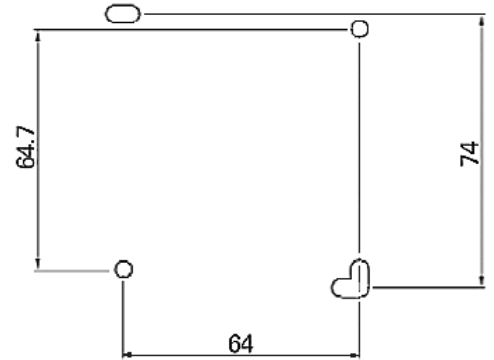
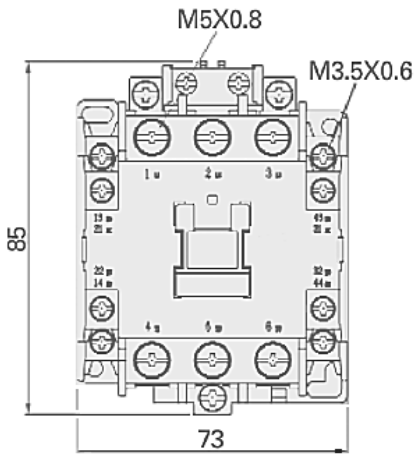
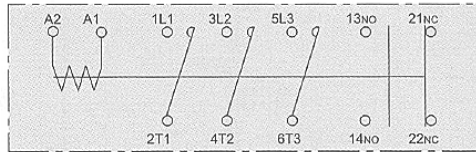
AC3 – Inductive Loads e.g. Electric motors



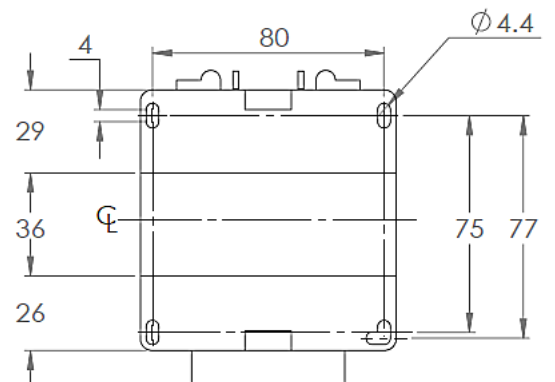
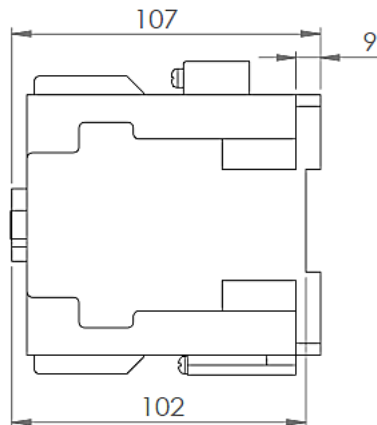
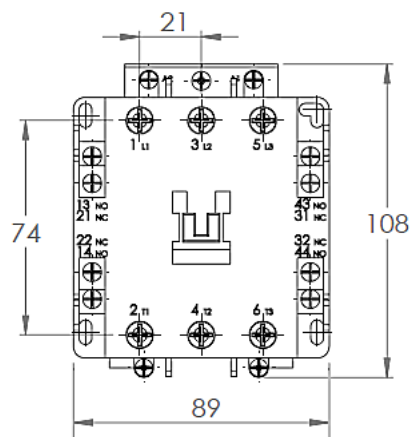
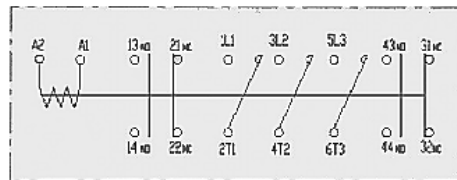
Contactor Model			CON-32	CON-50	CON-80
IEC60947-4-1 EN60947-4-1 DIN VDE 0660	Power Rating AC3 (kW/A)	240V	6.5 kW / 26A	7.5 kW / 30 A	15 kW / 58 A
		380V	12 kW / 23 A	15 kW / 28 A	30 kW / 52 A
		440V	12 kW / 23 A	15 kW / 27 A	30 kW / 52 A
	Current AC1 (A)		32	50	80
UL508 CSA-C22.2	Power Rating AC3 (HP/A)	Single Phase			
		110-120V	2 HP / 24 A	2 HP / 24 A	5 HP / 56 A
		220-240V	3 HP / 17 A	5 HP / 28 A	10 HP / 50 A
		3-Phase			
	220-240V	10 HP / 28 A	10 HP / 28 A	20 HP / 54 A	
440-480V	15 HP / 21 A	20 HP / 27 A	30 HP / 40 A		
Current AC1 (A)		40	50	80	
Auxiliary Contacts			1NO+1NC	2NO+2NC	2NO+2NC
IEC60947-4-1 EN60947-4-1	Utilisation category AC12	220-250V	1.6A	1.6A	1.6A
		380-440V	0.95A	0.95A	0.95A
		I _{th} (A)	16	16	16
		UL	A600, Q300	A600, Q300	A600, Q300
	Mechanical Life (Ops)		6,000,000	6,000,000	6,000,000
	Electrical Life AC3		1,200,000	1,200,000	1,200,000
	Maximum Ops per Hour		1200	1200	1200
	Coil Rating		220–240V 50Hz	220–240V 50Hz	220–240V 50Hz
	Coil Wattage (W)		2.5	3	7



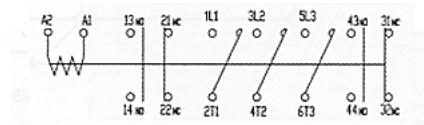
CON-32 Dimensions



CON-50 Dimensions



CON-80 Dimensions



MOUNTING OPTIONS

BN Thermic Ltd,
 34 Stephenson Way, Three Bridges,
 Crawley, RH10 1TN
 Tel: +44 (0) 1293 547361
 Email: sales@bnthermic.co.uk
 Web: www.bnthermic.co.uk