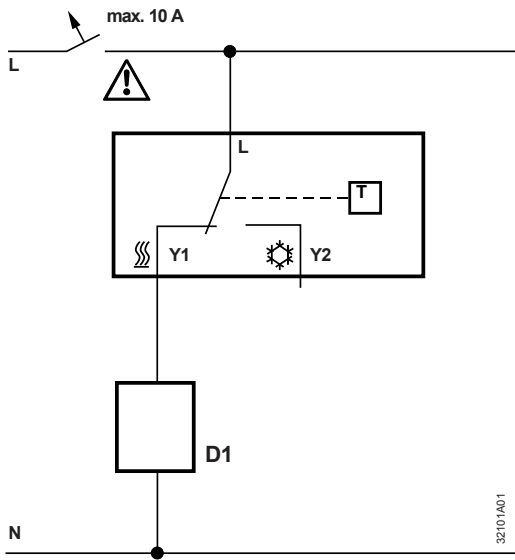


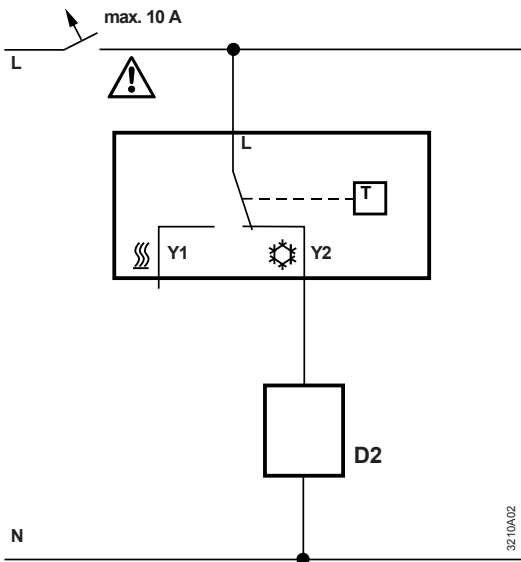
Dimensions in mm

RAA21



RAA21 - Heating mode

- D1 Contactor or heater if less than 6A for heating
- D2 Contactor or thermal valve if less than 6A for cooling
- L Switching voltage / Amps
AC 24V - 250V Max 6Amps
- N1 Room thermostat
- Y1 Control output
"Heating", AC 24V - 250V Max 6A
- Y2 Control output
"Cooling", AC 24V - 250V Max 6A
- N Neutral
- T Thermostat element
(gas-filled diaphragm)



RAA21 - Cooling mode